



## FEATURES

- 10A switching capability
- Low height, 20.6mm
- 5kV dielectric strength (between coil and contacts)
- Wash tight and flux proofed types available
- Kinds socket available
- Environmental friendly product (RoHS compliant)
- Outline Dimensions: (29.0 x 12.6 x 20.6) mm

## CONTACT DATA

Contact arrangement	1A 1B 1C	
Contact resistance	50mΩ (1A 6VDC)	
Contact material	AgCdO AgSnO <sub>2</sub>	
Contact rating (Res. load)	1A	1C
	Standard	High Capacity
	8A 250VAC/30VDC	10A 30VDC
	10A 125VAC	10A 250VAC
Max. switching voltage	250VAC / 30VDC	
Max. switching current	10A	
Max. switching power	2000VA/240W	2500VA/300W
Mechanical endurance	1 x 10 <sup>7</sup>	
Electrical endurance	1 x 10 <sup>5</sup>	

## CHARACTERISTICS

Insulation resistance		1000MΩ (500VDC)
Dielectric strength	Between coil&contacts	5000VAC 1min
	Between open contacts	1000VAC 1min
Operate time (at normal.volt.)		≤ 15ms
Release time (at normal.volt.)		≤ 5ms
Vibration resistance		10Hz ~ 55Hz 1.5mm
Shock resistance	Functional	100m/s <sup>2</sup> (10g)
	Destructive	1000m/s <sup>2</sup> (100g)
Humidity		5% ~ 85%RH
Ambient temperature		-40°C~ 70°C
Termination		PCB
Unit weight		13g
Construction		Sealed Flux proofed

## COIL DATA

at 23°C

### Standard Type (720mW)

Coil Voltage VDC	Pick-up Voltage VDC	Drop-out Voltage VDC	Max. Allowable voltage VDC	Coil Resistance Ω
5	4.0	0.5	6.5	36 x (1±10%)
6	4.8	0.6	7.8	50 x (1±10%)
9	7.2	0.9	11.7	115 x (1±10%)
12	9.6	1.2	15.6	200 x (1±10%)
18	14.4	1.8	23.4	460 x (1±10%)
24	19.2	2.4	31.2	820 x (1±10%)
48	38.4	4.8	62.4	3300 x (1±10%)

### Sensitive Type (540mW)

Coil Voltage VDC	Pick-up Voltage VDC	Drop-out Voltage VDC	Max. Allowable voltage VDC	Coil Resistance Ω
5	4.0	0.5	6.5	47 x (1±10%)
6	4.8	0.6	7.8	68 x (1±10%)
9	7.2	0.9	11.7	155 x (1±10%)
12	9.6	1.2	15.6	270 x (1±10%)
18	14.4	1.8	23.4	620 x (1±10%)
24	19.2	2.4	31.2	1100 x (1±10%)
48	38.4	4.8	62.4	4400 x (1±10%)

## COIL

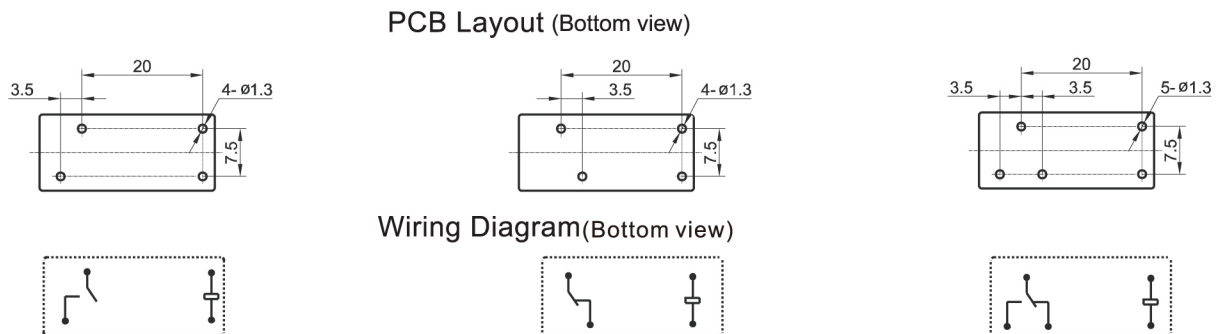
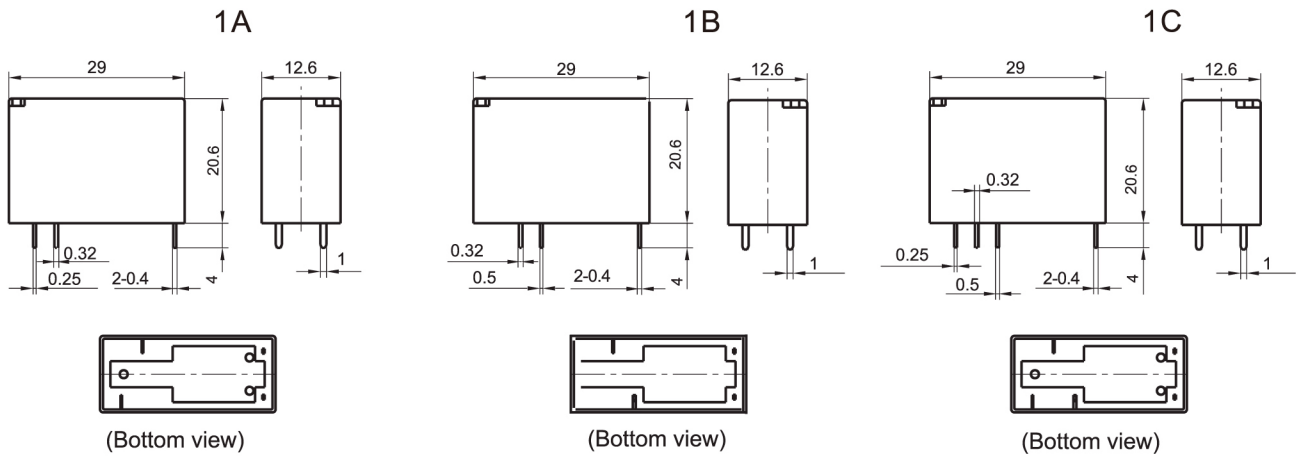
Coil power	Standard 720mW	Sensitive 540mW
------------	----------------	-----------------

ORDERING INFORMATION

	<b>MPJ1 - S - 1 12 - C</b>
Type	
Construction	S:sealed    nil    flux proofed
Contact group	1:1 group
Coil voltage	5、6、9、12、18、24、48VDC
Contact arrangement	A:NO    B: NC    C:NO/NC

OUTLINE DIMENSIONS, WIRING DIAGRAM AND PC BOARD LAYOUT

Outline Dimensions



Remark: 1) In case of no tolerance shown in outline dimension: outline dimension  $\leq 1\text{mm}$ , tolerance should be  $\pm 0.2\text{mm}$ ; outline dimension  $> 1\text{mm}$  and  $\leq 5\text{mm}$ , tolerance should be  $\pm 0.3\text{mm}$ ; outline dimension  $> 5\text{mm}$ , tolerance should be  $\pm 0.4\text{mm}$ .  
2) The tolerance without indicating for PCB layout is always  $\pm 0.1\text{mm}$ .