



Continental Device India Limited

An IS/ISO 9002 and IECQ Certified Manufacturer



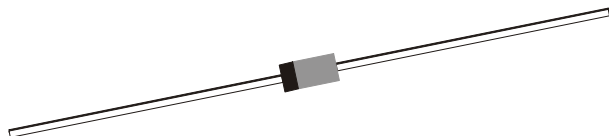
IS/ISO 9002
Lic# QSC/L- 000019.2



IS / IECQC 700000
IS / IECQC 750100

HIGH SPEED SILICON SWITCHING DIODE AXIAL LEAD

CD1N4148
DO-35, 500mW



MARKING: Cathode band
+
4148
(no body coat)

General purpose applications. Hermetically sealed glass and the glass passivated chip Provides excellent stability.

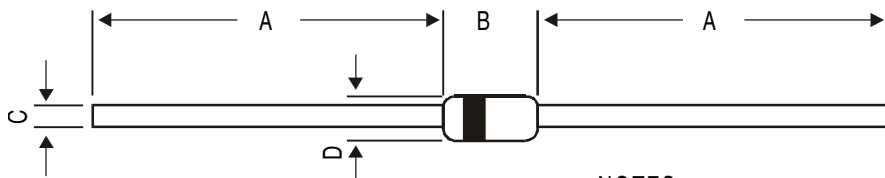
ABSOLUTE MAXIMUM RATINGS (Ta=25 deg C otherwise specified)

DESCRIPTION	SYMBOL	VALUE	UNIT
Peak Repetitive Reverse Voltage	VRRM	80	V
Reverse Voltage (Continuous)	VR	75	V
Average Forward Current	IF(AV)	150	mA
Forward Current (DC)	IF	200	mA
Repetitive Peak Forward Current	IFRM	450	mA
Non Repetitive Peak Surge Current	IFSM	2000	mA
	tp=1usec		
	IFSM	500	mA
Power Dissipation	PTA	500	mW
Derating Factor		2.85	mW/deg C
Operating & Storage Junction Temperature Range	Tj, Tstg	-65 to +200	deg C

ELECTRICAL CHARACTERISTICS (Ta=25 deg C Unless Otherwise Specified)

DESCRIPTION	SYMBOL	TEST CONDITION	MIN	TYP	MAX	UNIT
Forward Voltage	VF	IF=10mA	-	-	1.0	V
Reverse Current	IR	VR=20V	-	-	500	nA
		VR=75V	-	-	20	uA
Reverse Breakdown Voltage	VBR	IR=100uA	80	-	-	V
		IR=20uA	75	-	-	V
DYNAMIC CHARACTERISTICS						
Diode Capacitance	Cd	VR=0V, f=1MHz	-	-	4.0	pF
Forward Recovery Voltage	Vfr	IF=50mA, tr=20ns	-	-	2.5	V
Reverse Recovery Time	trr	IF=10mA, to IR=60mA RL=100ohms Measured @ IR=1mA	-	-	4.0	ns

DO-35 Glass Axial Package

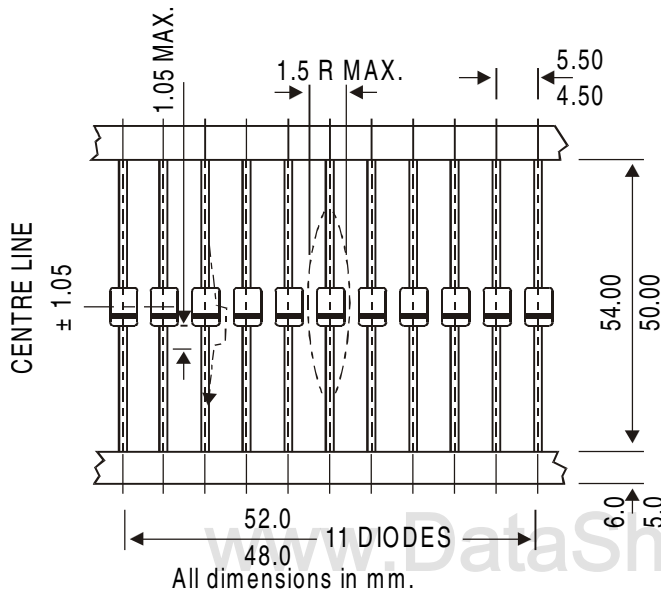


DIM	MIN	MAX
A	25.40	—
B	3.03	4.44
C	0.46	0.56
D	1.52	2.29

NOTES

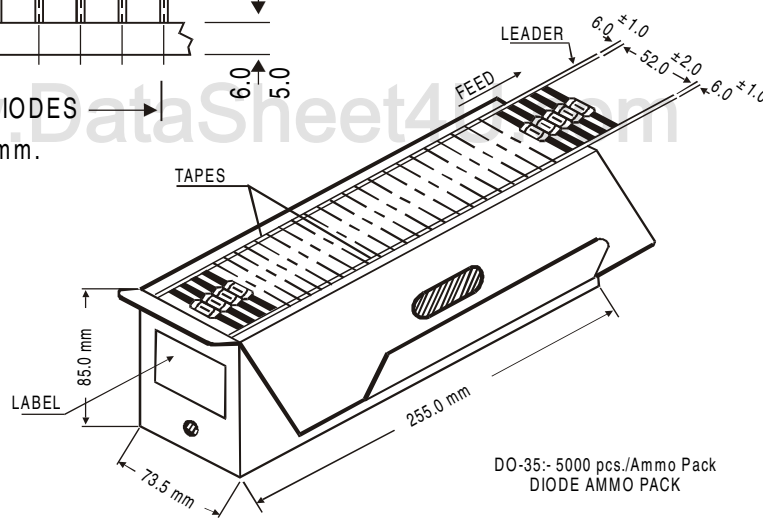
1. Cathode is marked by Band.
2. All dimensions are in mm.

DO-35, 52mm Taping Specification



52 mm Taping Specification

1. T & A indicates Axial Tape & Ammo packing (52 mm Tape Spacing).
2. 300 mm (min) leader tape on every spool.
3. No. of empty places allowed 0.25% without consecutive empty places.
4. Ends of leads shall preferably not protrude beyond the tapes.
5. Components shall be held sufficiently in the tape or tapes so that they can not come free in normal handling.



On request also available in 26 mm Tape and Ammo Pack

Packing Detail

PACKAGE	STANDARD PACK		INNER CARTON BOX		OUTER CARTON BOX		
	Details	Net Weight/Qty	Size	Qty	Size	Qty	Gr Wt
DO-35 T&A	5K/ammo box	0.88 kg/5K pcs	10" x 3.5" x 3.5"	5.0K	12.7" x 12.7" x 20"	125.0K	25 kgs

Notes

www.DataSheet4U.com

Disclaimer

The product information and the selection guides facilitate selection of the CDIL's Discrete Semiconductor Device(s) best suited for application in your product(s) as per your requirement. It is recommended that you completely review our Data Sheet(s) so as to confirm that the Device(s) meet functionality parameters for your application. The information furnished on the CDIL Web Site/CD is believed to be accurate and reliable. CDIL however, does not assume responsibility for inaccuracies or incomplete information. Furthermore, CDIL does not assume liability whatsoever, arising out of the application or use of any CDIL product; neither does it convey any license under its patent rights nor rights of others. These products are not designed for use in life saving/support appliances or systems. CDIL customers selling these products (either as individual Discrete Semiconductor Devices or incorporated in their end products), in any life saving/support appliances or systems or applications do so at their own risk and CDIL will not be responsible for any damages resulting from such sale(s).

CDIL strives for continuous improvement and reserves the right to change the specifications of its products without prior notice.



CDIL is a registered Trademark of

Continental Device India Limited

C-120 Naraina Industrial Area, New Delhi 110 028, India.

Telephone + 91-11-579 6150 Fax + 91-11-579 9569, 579 5290

e-mail sales@cdil.com www.cdil.com