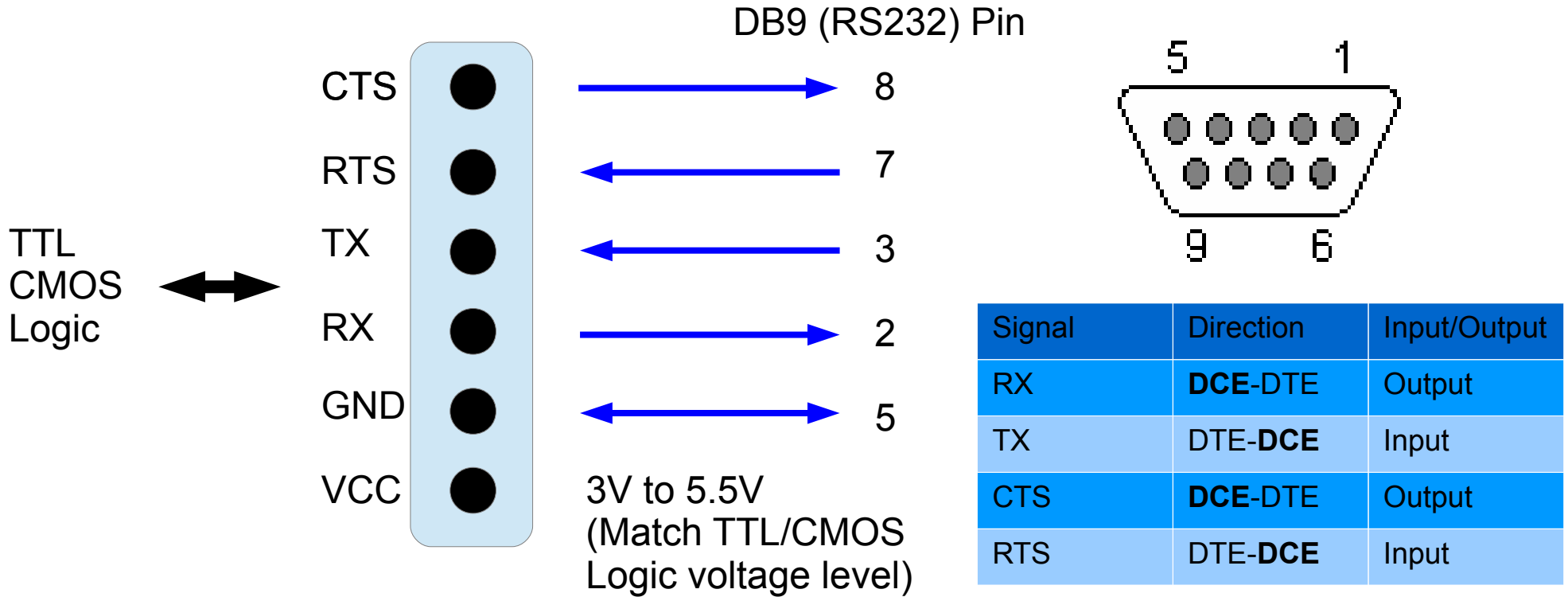


RS232 to TTL converter board DCE with Female DB9

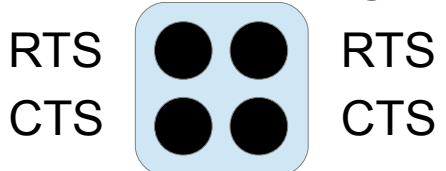
3.3V to 5V logic level / 250kbps (KIT-0100)

Connection Diagram



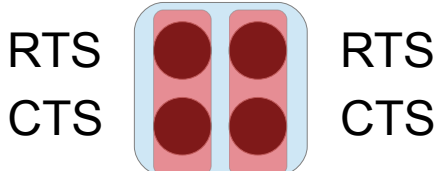
RTS / CTS routing options

No RTS / CTS signals



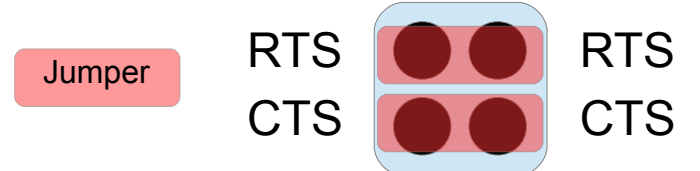
TTL RS232

RTS / CTS loopback



TTL RS232

RTS / CTS HW handshake

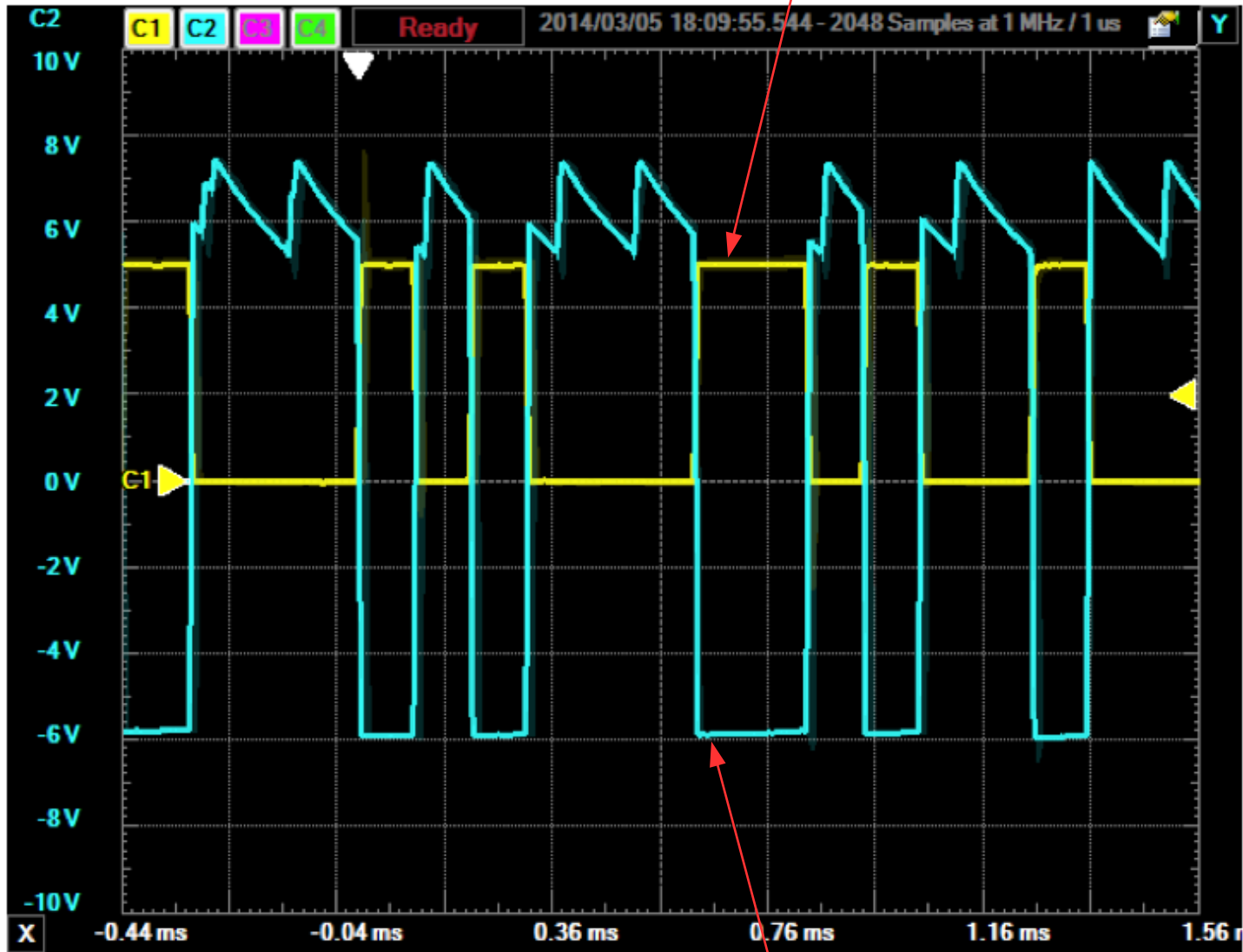


TTL RS232

RS232 to TTL converter board DCE with Female DB9

3.3V to 5V logic level / 250kbps

9600 bps TX signal on TTL-CMOS logic side (VCC = 5V)

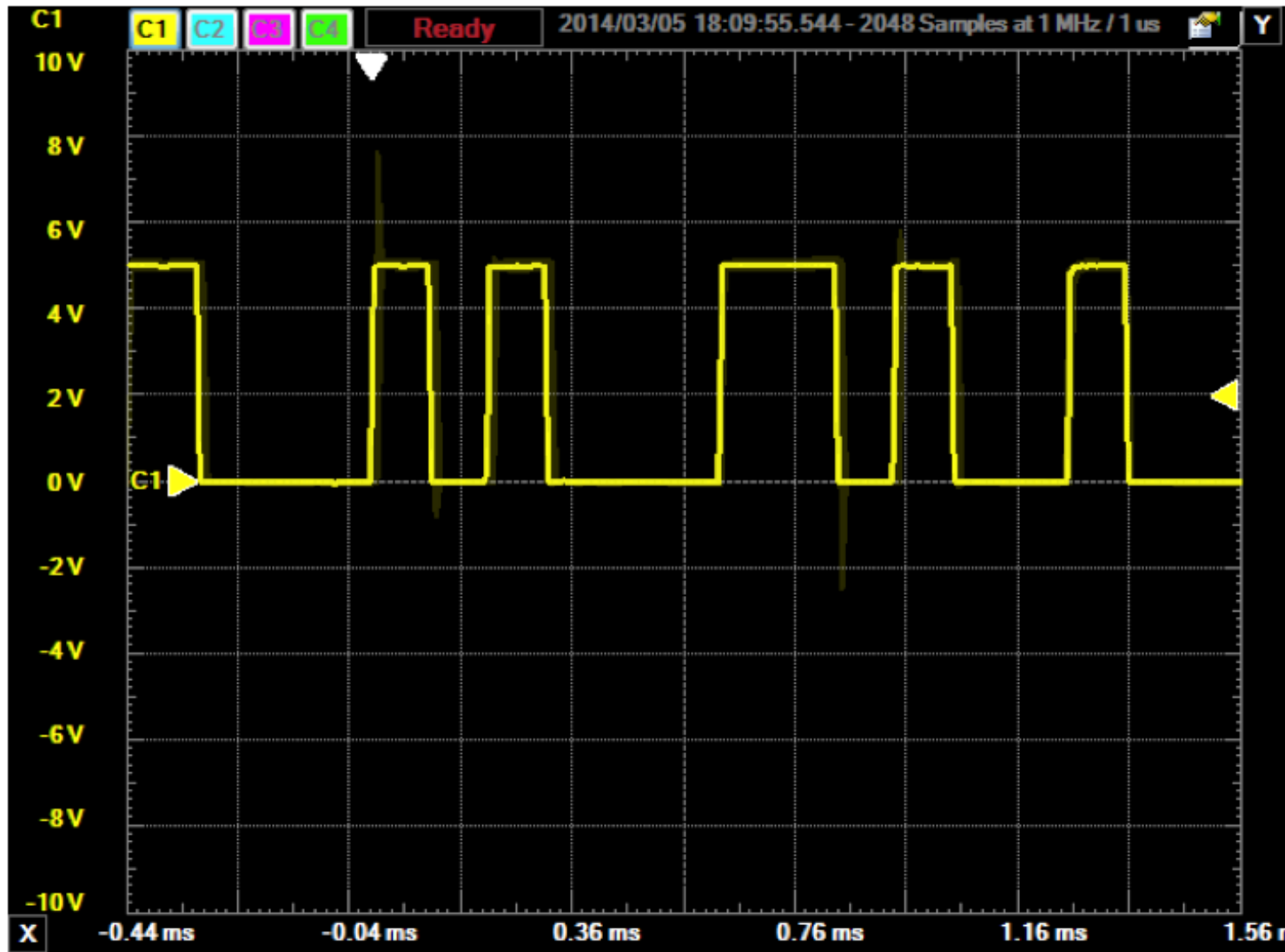


Equivalent TX signal on RS232 side

RS232 to TTL converter board DCE with Female DB9

3.3V to 5V logic level / 250kbps

9600 bps TX signal on TTL-CMOS logic side (VCC = 5V)



RS232 to TTL converter board DCE with Feale DB9

3.3V to 5V logic level / 250kbps

9600 bps TX signal on TTL side converted to RS232 (measured from DB9 pin 3)

